

EXPONENTIATION FOR THE WILSON LOOP IN THE LIGHT-CONE
GAUGE

ANĐELKA ANDRAŠI

Ruder Bošković Institute, 41001 Zagreb, P. O. B. 1016, Croatia

Received 17 April 1992

UDC 539.12

Original scientific paper

Despite the fact that the Mandelstam-Leibbrandt prescription for the light-cone gauge fails to give $C_R C_G$ terms correctly to order g^4 , it does give C_R^2 terms which do agree with those in the Feynman gauge. Thus, the exponentiation theorem remains satisfied.

1. Introduction

The set of algebraic non-covariant (i. e. gauge) conditions of the kind $n^\mu A_\mu = \Phi$, where $n_\mu = (n_0, \vec{n})$ is a constant four-vector and Φ is a given field in the adjoint representation of a semisimple Lie algebra, has been widely and increasingly adopted in the treatment of many aspects of quantum non-abelian gauge theories. The appealing features of this class of gauge choices are

- (a) the decoupling of the Faddeev-Popov ghost sector;
- (b) the freedom of Gribov's ambiguities;
- (c) the possibility of a simple »parton-like« interpretation of the theory owing to the apparent decoupling (or even absence) of the unphysical degrees of freedom.

On the other hand, in addition to entailing the break-down of manifest Lorentz covariance, the use of algebraic non-covariant gauges entails several delicate mathematical problems arising from the presence of spurious gauge singularities of the kind $[n \cdot k]^{-1}$, $[n \cdot k]^{-2}$ in the free gauge-field propagator.

If such singularities are defined by means of the Cauchy principal value (CPV) prescription, several pathologies arise in perturbation theory:

- (i) the positivity of the sum over the polarization vectors is lost in the axial gauge $n \cdot A = 0$;
- (ii) the axial gauge does not reproduce the expected exponential behaviour of the Wilson loop in the large- T limit, either in the temporal¹⁾ or in the space-like²⁾ case;
- (iii) in the light-cone case ($n^2 = 0$), inconsistencies arising in loop calculations³⁾ are essentially due to pinches between spurious poles and Feynman poles in the evaluation of Feynman integrals.

In order to solve the problem of the light-cone gauge, Mandelstam and Leibbrandt proposed a prescription^{4,5)} according to which the spurious poles and the Feynman poles are always located in the same quadrants of the complex k_0 plane. This prescription is given by

$$\frac{1}{n \cdot k} \equiv \frac{1}{n \cdot k + i\omega (n^* \cdot k)} = \frac{n^* \cdot k}{(n \cdot k)(n^* \cdot k) + i\varepsilon}, \quad (1)$$

where $n_\mu^* = (n_0, -\vec{n})$ is usually called the dual (or conjugate) vector of n_μ . The first expression is Mandelstam's proposal, the second one is Leibbrandt's.

In this paper we show in detail that the exponentiation theorem remains satisfied with the Mandelstam-Leibbrandt prescription to order g^4 for the Wilson loop with light-like sides.

2. Diagrams

We use the same Wilson loop and notation as in Ref. 6. The diagrams contributing to C_R^2 terms in the light-cone gauge are shown in Figs. 1, 2 and 3.

The contribution of the diagram shown in Fig. 1 is of the form

$$\begin{aligned} W_1 = & -16g^4 \text{Tr} (t_a t_b t_a t_b) \int d^n p d^n k \times \\ & \times \frac{n_\mu^*}{k^2} \left(\delta_{\mu\nu} - \frac{k_\mu n_\nu + k_\nu n_\mu}{n \cdot k} \right) n_\nu^* \frac{n_\alpha^*}{p^2} \left(\delta_{\alpha\beta} - \frac{p_\alpha n_\beta + p_\beta n_\alpha}{n \cdot p} \right) n_\beta^* \times \\ & \times \int_0^L dt_1 \int_0^L dt_2 \Theta(t_2 - t_1) \int_{L-T}^{-T} dt_3 \int_{L-T}^{-T} dt_4 \Theta(t_3 - t_4) \times \\ & \times \exp i [k_0 (t_1 - t_3) - k_3 (x_1 - x_3)] \cdot \exp i [p_0 (t_2 - t_4) - p_3 (x_2 - x_4)]. \quad (2) \end{aligned}$$

Here Θ is a step function.

We choose the two light-like vectors to be

$$\begin{aligned} n &= (1, 0, 0, -1), \\ n^* &= (1, 0, 0, 1), \end{aligned} \tag{3}$$

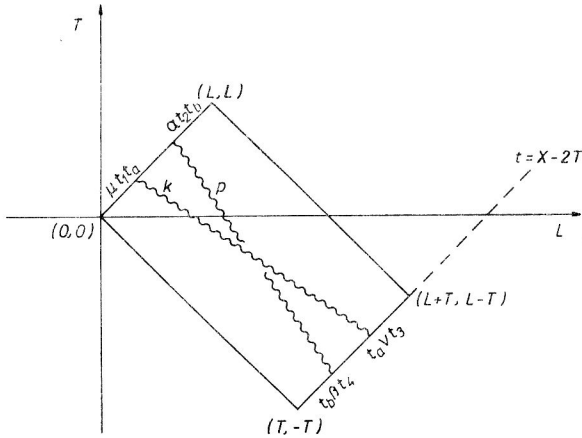


Fig. 1. Graphs contributing to the vacuum expectation value of the Wilson-loop operator at order g^4 . The sides of the loop are in the directions of the two null vectors n, n^* . Two gluons are exchanged. We follow the graphs only with the groups factor C_R^2 .

and use Mandelstam's variables

$$\begin{aligned} n \cdot p &= p_+, \\ n^* \cdot p &= p_-. \end{aligned} \tag{4}$$

Thus we obtain

$$\begin{aligned} W_1 &= -16g^4 \text{Tr}(t_a t_b t_a t_b) \int d^n p d^n k \frac{e^{i(k+p)_+ T}}{k^2 k_+ p^2 p_+} \times \\ &\times \left\{ \frac{1}{(k+p)_-} (e^{i(k+p)_- L} - 1) - \frac{1}{p_-} (e^{ip_- L} - 1) \right\} \times \\ &\times \left\{ \frac{1}{(k+p)_-} (e^{-i(k+p)_- L} - 1) - \frac{1}{k_-} (e^{-ik_- L} - 1) \right\}. \end{aligned} \tag{5}$$

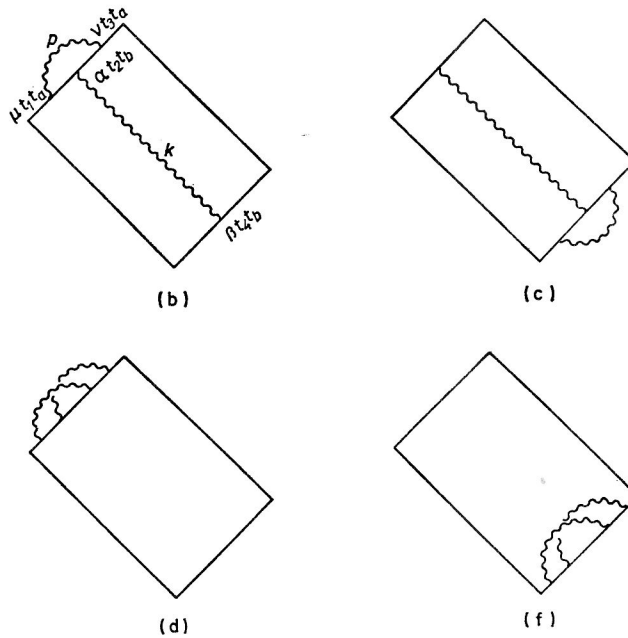


Fig. 2. Same as Fig. 1.

The poles in k_+ and p_+ are to be understood in the sense of Mandelstam's prescription (1). We can soften these poles by adding the diagrams of Fig. 2:

$$\begin{aligned}
 W_b + W_c &= -16 \operatorname{Tr} (t_a t_b t_a t_b) g^4 \int d^n p d^n k \frac{2 \cos k_+ T}{k^2 k_+ p^2 p_+} \cdot \frac{1 - e^{-ik_- L}}{k_-} \times \\
 &\times \left\{ \frac{1}{(k - p)_-} (e^{ik_- L} - 1) - \frac{1}{(p + k)_-} (e^{i(p+k)_- L} - 1) + \frac{1}{(p - k)_-} (e^{ip_- L} - 1) \right\},
 \end{aligned} \tag{6}$$

$$\begin{aligned}
 W_d + W_f &= -16 \operatorname{Tr} (t_a t_b t_a t_b) g^4 \int d^n p d^n k \frac{2}{k^2 k_+ p^2 p_+} \times \\
 &\times \left\{ \frac{1}{(p + k)_-^2} (e^{i(p+k)_- L} - 1) - \frac{1}{p_- (p - k)_-} (e^{ip_- L} - 1) + \right. \\
 &\quad \left. + \frac{1}{k_- (p - k)_-} (e^{ik_- L} - 1) \right\}.
 \end{aligned} \tag{7}$$

In (7) we symmetrize $p_\mu, k_\mu \leftrightarrow -p_\mu, -k_\mu$ and denote

$$C = -16g^4 \text{Tr} (t_a t_b t_a t_b). \quad (8)$$

In this way we obtain

$$W_d + W_f = C \int d^n p d^n k \frac{2}{k^2 k_+ p^2 p_+} \left\{ \frac{1}{(p+k)_-^2} (\cos(p+k)_- L - 1) - \frac{1}{p_- (p-k)_-} (\cos p_- L - 1) + \frac{1}{k_- (p-k)_-} (\cos k_- L - 1) \right\}. \quad (9)$$

After changing $k_\mu \rightarrow -k_\mu$ in the term with $1/(p+k)_-$, we can express Eq. (6) in the form

$$W_b + W_c = C \int d^n p d^n k \frac{\cos k_+ T - 1}{k^2 k_+ p^2 p_+} \cdot \frac{1}{k_-} \cdot \frac{1}{(k-p)_-} \times \\ \times 4 \{ \cos k_- L - 1 + \cos(p-k)_- L - \cos p_- L \} + \\ + 4C \int d^n p d^n k \frac{1}{k^2 k_+ p^2 p_+} \cdot \frac{1}{k_- (k-p)_-} \times \\ \times \{ \cos k_- L - 1 + \cos(p-k)_- L - \cos p_- L \}. \quad (10)$$

We denote the second expression in (10) by R and add it to $W_d + W_f$. Thus we obtain

$$W_d + W_f + R = C \int d^n p d^n k \frac{2}{k^2 k_+ p^2 p_+} \left\{ \frac{1}{(p+k)_-^2} (\cos(p+k)_- L - 1) - \frac{1}{p_- (p-k)_-} (\cos p_- L - 1) - \frac{1}{k_- (p-k)_-} (\cos k_- L - 1) + \frac{2}{k_- (k-p)_-} (\cos(p-k)_- L - \cos p_- L) \right\}. \quad (11)$$

We obtain all the denominators in the form $1/(p+k)_-$ by changing $k_\mu \rightarrow -k_\mu$ where appropriate. After making the exchange $p_\mu \leftrightarrow k_\mu$ and some algebraic manipulations, we obtain

$$W_d + W_f + R = C \int d^n p d^n k \frac{2}{k^2 k_+ p^2 p_+} \left\{ \frac{1}{(p+k)_-^2} (\cos(p+k)_- L - 1) - \right.$$

$$\begin{aligned}
 & - \frac{1}{p_-(k+p)_-} (\cos p_-L - 1 + \cos (p+k)_-L - \cos k_-L) + \\
 & + \frac{1}{k_-(p+k)_-} (\cos k_-L - 1) - \frac{1}{p_-(k+p)_-} (\cos (p+k)_-L - \cos k_-L) \Big\}. \quad (12)
 \end{aligned}$$

The first two lines are ready to be added to Eq. (5), whereas the last line, which we denote by \mathcal{L} , still requires some manipulations:

$$\begin{aligned}
 \mathcal{L} = C \int d^n p d^n k \frac{2}{k^2 k_+ p^2 p_+} \Big\{ & \frac{1}{k_-(p+k)_-} (\cos k_-L - 1) - \\
 & - \frac{1}{p_-(k+p)_-} (\cos (p+k)_-L - \cos k_-L) \Big\}. \quad (13)
 \end{aligned}$$

Symmetrizing Eq. (13) under $p_\mu \leftrightarrow k_\mu$ and writing it back in terms of the exponentials (while making the change $p_\mu \rightarrow -p_\mu$, $k_\mu \rightarrow -k_\mu$ where necessary), we obtain the form

$$\mathcal{L} = -C \int d^n p d^n k \frac{1}{k^2 k_+ p^2 p_+} \cdot \frac{1}{k_- p_-} (e^{ip_-L} - 1) (e^{-ik_-L} - 1). \quad (14)$$

In summary, we can write

$$\begin{aligned}
 W_1 + W_b + W_c + W_d + W_f = C \int d^n p d^n k \frac{e^{i(p+k)_+T} - 1}{k^2 k_+ p^2 p_+} \times \\
 \times \Big\{ \frac{2}{(k+p)_-^2} (1 - \cos (k+p)_-L) - \frac{2}{p_-(k+p)_-} (1 - \cos (k+ \\
 + p)_-L + \cos k_-L - \cos p_-L) + \frac{1}{p_- k_-} (e^{ip_-L} - 1) (e^{-ik_-L} - 1) \Big\} + \\
 + C \int d^n p d^n k \frac{\cos k_+T - 1}{k^2 k_+ p^2 p_+} \cdot \frac{1}{k_-(k-p)_-} \times \\
 \times 4 \{ \cos k_-L - 1 + \cos (p-k)_-L - \cos p_-L \}.
 \end{aligned}$$

The second part in Eq. (15) vanishes because of the identity (15)

$$\int dp_+ \frac{1}{(p^2 + i\epsilon)(p_+ + i\omega p_-)} \equiv 0. \quad (16)$$

The diagram in Fig. 3 reads

$$\begin{aligned}
 W_2 = & -g^4 \text{Tr} (t_b t_a t_a t_b) \int d^n p d^n k \frac{n_\mu^*}{k^2} \left(\delta_{\mu\nu} - \frac{k_\mu n_\nu + k_\nu n_\mu}{n \cdot k} \right) n_\nu^* \times \\
 & \times \frac{n_\alpha^*}{p^2} \left(\delta_{\alpha\beta} - \frac{p_\alpha n_\beta + p_\beta n_\alpha}{n \cdot p} \right) n_\beta^* \times \\
 & \times \int_0^L dt_1 \int_0^L dt_2 \Theta(t_1 - t_2) \int_{L-T}^{-T} dt_3 \int_{L-T}^{-T} dt_4 \Theta(t_3 - t_4) \times \\
 & \times \exp i [k_0(t_1 - t_3) - k_3(x_1 - x_3)] \cdot \exp i [p_0(t_2 - t_4) - p_3(x_2 - x_4)]. \quad (17)
 \end{aligned}$$

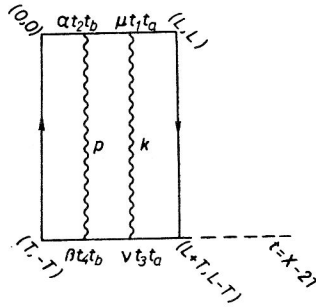


Fig. 3. Same as Fig. 1.

After integrating over dt_1 , dt_2 , dt_3 and dt_4 and symmetrizing $k_\mu \rightarrow -k_\mu$, $p_\mu \rightarrow -p_\mu$, we obtain

$$\begin{aligned}
 W_2 = & -g^4 \text{Tr} (t_a t_a t_b t_b) \cdot 32 \int d^n p d^n k \frac{\cos(p+k)_+ T}{k^2 k_+ p^2 p_+} \times \\
 & \times \left\{ -\frac{1}{(p+k)_-} [1 - \cos(p+k)_- L] + \frac{2}{p_- (p+k)_-} (1 - \cos p_- L) \right\}. \quad (18)
 \end{aligned}$$

3. Evaluation

We start by evaluating the diagram W_2 . After making a shift of integration variables:

$$\begin{aligned}
 p + k &= p' \\
 k &= k', \quad p = p' - k'
 \end{aligned} \quad (19)$$

and using partial fractions

$$\frac{1}{n \cdot k n \cdot (p - k)} = \frac{1}{n \cdot p} \left[\frac{1}{n \cdot k} + \frac{1}{n \cdot (p - k)} \right], \quad (20)$$

we obtain

$$\begin{aligned} W_2 = & -32g^4 \text{Tr}(t_a t_a t_b t_b) \int d^n p d^n k \frac{\cos p_+ T}{k^2 n \cdot k (p - k)^2 n \cdot p} \times \\ & \times \left\{ -\frac{1}{p_-^2} (1 - \cos p_- L) + \frac{2}{p_- (p - k)_-} [1 - \cos (p - k)_- L] \right\} - \\ & -32g^4 \text{Tr}(t_a t_a t_b t_b) \int d^n p d^n k \frac{\cos p_+ T}{k^2 (p - k)^2 n \cdot p n \cdot (p - k)} \times \\ & \times \left\{ -\frac{1}{p_-^2} (1 - \cos p_- L) + \frac{2}{p_- (p - k)_-} [1 - \cos (p - k)_- L] \right\}. \quad (21) \end{aligned}$$

In the second expression of Eq. (21) we make a change of variables:

$$\begin{aligned} p &= p', & p - k &= k', \\ k &= p' - k'. \end{aligned} \quad (22)$$

In this way we have to evaluate

$$\begin{aligned} W_2 = & -64g^4 \text{Tr}(t_a t_a t_b t_b) \int d^n p d^n k \frac{\cos p_+ T}{k^2 (p - k)^2 n \cdot p n \cdot k} \times \\ & \times \left\{ -\frac{1}{p_-^2} (1 - \cos p_- L) + \frac{1}{p_- (p - k)_-} [1 - \cos (p - k)_- L] + \right. \\ & \left. + \frac{1}{p_- k_-} (1 - \cos k_- L) \right\}. \quad (23) \end{aligned}$$

We use the integrals listed in Ref. 6:

$$\int d^n p d^n k = \frac{1}{4} \int dp_+ dp_- d^{2-\epsilon} P \int dk_+ dk_- d^{2-\epsilon} K, \quad (24)$$

$$\begin{aligned} B = & \int d^n k \frac{1}{k^2 (p - k)^2 n \cdot k} = -i\pi^{2-\epsilon/2} p_- \Gamma\left(1 + \frac{\epsilon}{2}\right) \times \\ & \times \int_0^1 dx (1 - x)^{-\epsilon/2} \int_0^1 dy (1 - y + xy)^{-1-\epsilon/2} (P^2 y - p_+ p_- - i\eta)^{-1-\epsilon/2}, \quad (25) \end{aligned}$$

where $k_- = p_-x$,

$$\begin{aligned} & \int d^{2-\varepsilon} P(P^2y - p_+p_- - i\eta)^{-1-\varepsilon/2} = \\ & = \pi^{1-\varepsilon/2} \frac{\Gamma(\varepsilon)}{\Gamma\left(1 + \frac{\varepsilon}{2}\right)} y^{\varepsilon/2-1} (-p_+p_- - i\eta)^{-\varepsilon}. \end{aligned} \quad (26)$$

Therefore,

$$\begin{aligned} W_2 &= -16g^4 \text{Tr}(t_a t_a t_b t_b) (-i) \pi^{3-\varepsilon} \Gamma(\varepsilon) \int dp_+ dp_- \times \\ & \times \int_0^1 dx \int_0^1 dy (-p_+p_- - i\eta)^{-\varepsilon} y^{\varepsilon/2-1} (1-x)^{-\varepsilon/2} (1-y+xy)^{-1-\varepsilon/2} \times \\ & \times \frac{\cos p_+ T}{p_+ + i\omega p_-} \left\{ -\frac{1}{p_-} (1 - \cos p_- L) + \frac{1}{p_-x} (1 - \cos p_-xL) + \right. \\ & \left. + \frac{1}{p_- (1-x)} [1 - \cos p_- (1-x)L] \right\}. \end{aligned} \quad (27)$$

First, let us perform the integration over $dp_+ dp_-$:

$$\begin{aligned} I &= \int_{-\infty}^{\infty} \int_{-\infty}^{\infty} dp_+ dp_- \frac{\cos p_+ T}{p_+ + i\omega p_-} (-p_+p_- - i\eta)^{-\varepsilon} \frac{1}{p_-} \times \\ & \times \left\{ -(1 - \cos p_- L) + \frac{1}{x} (1 - \cos p_-xL) + \frac{1}{1-x} [1 - \cos p_- L (1-x)] \right\} = \\ & = \int_{-\infty}^{\infty} dp_+ \left\{ \int_0^{\infty} dp_- \frac{\cos p_+ T}{p_+ + i\omega p_-} (-p_+p_- - i\eta)^{-\varepsilon} \frac{1}{p_-} \times \right. \\ & \times \left[-(1 - \cos p_- L) + \frac{1}{x} (1 - \cos p_-xL) + \frac{1}{1-x} (1 - \cos p_- L (1-x)) - \right. \\ & \left. \left. - \int_0^{\infty} dp_- \frac{\cos p_+ T}{p_+ - i\omega p_-} (p_+p_- - i\eta)^{-\varepsilon} \frac{1}{p_-} \times \right. \right. \\ & \left. \left. \times \left[-(1 - \cos p_- L) + \frac{1}{x} (1 - \cos p_-xL) + \frac{1}{1-x} (1 - \cos p_- L (1-x)) \right] \right\}. \end{aligned} \quad (28)$$

In addition, changing the integration over dp_+ into the positive range of integration, we obtain

$$\begin{aligned} I &= 2 \int_0^{\infty} \int_0^{\infty} dp_+ dp_- \cos p_+ T \left[\frac{e^{i\pi\varepsilon}}{p_+ + i\omega p_-} - \frac{1}{p_+ - i\omega p_-} \right] \times \\ & \times p_+^{-\varepsilon} p_-^{-1-\varepsilon} \left\{ -(1 - \cos p_- L) + \frac{1}{x} (1 - \cos p_-xL) + \right. \\ & \left. + \frac{1}{1-x} [1 - \cos p_- L (1-x)] \right\}. \end{aligned} \quad (29)$$

The evaluation of the integral over dp_+ is shown in detail in Appendix B. Using it, we have

$$I = 2 (e^{i\pi\epsilon} - 1) (TL)^\epsilon \cos^2 \frac{\epsilon\pi}{2} \Gamma^2(-\epsilon) [1 - x^{\epsilon-1} - (1-x)^{\epsilon-1}]. \quad (30)$$

Therefore,

$$\begin{aligned} W_2 = & -16g^4 \text{Tr}(t_a t_u t_b t_b) (-i) \pi^{3-\epsilon} \Gamma(\epsilon) \cdot 2 (e^{i\pi\epsilon} - 1) (TL)^\epsilon \cos^2 \frac{\epsilon\pi}{2} \Gamma^2(-\epsilon) \times \\ & \times \int_0^1 dx \int_0^1 dy y^{-1+\epsilon/2} (1-x)^{-\epsilon/2} (1-y+xy)^{-1-\epsilon/2} [1 - x^{\epsilon-1} - (1-x)^{\epsilon-1}]. \end{aligned} \quad (31)$$

Second, there are two more integrations to perform:

$$\int_0^1 dy \frac{y^{\epsilon/2-1}}{[1 - (1-x)y]^{1+\epsilon/2}} = \frac{2}{\epsilon} x^{-\epsilon/2}, \quad (32)$$

$$\begin{aligned} \int_0^1 dx x^{-\epsilon/2} (1-x)^{-\epsilon/2} [1 - x^{\epsilon-1} - (1-x)^{\epsilon-1}] = & \frac{\Gamma(1-\epsilon/2) \Gamma(1-\epsilon/2)}{\Gamma(2-\epsilon)} - \\ & - 2 \frac{\Gamma(\epsilon/2) \Gamma(1-\epsilon/2)}{\Gamma(1)}. \end{aligned} \quad (33)$$

The final result is

$$\begin{aligned} W_2 = & 64g^4 \text{Tr}(t_a t_a t_b t_b) \pi^{3-\epsilon} \frac{1}{\epsilon} \Gamma(\epsilon) \cdot i (e^{i\pi\epsilon} - 1) \Gamma^2(-\epsilon) \cos^2 \frac{\epsilon\pi}{2} \times \\ & \times \left[\frac{\Gamma(1-\epsilon/2) \Gamma(1-\epsilon/2)}{\Gamma(2-\epsilon)} - 2\Gamma\left(\frac{\epsilon}{2}\right) \Gamma\left(1-\frac{\epsilon}{2}\right) \right] \cdot (TL)^\epsilon. \end{aligned} \quad (34)$$

The leading divergence ϵ^{-4} becomes

$$W_2 = 2^8 g^4 C_R^2 \pi^{4-\epsilon} (TL)^\epsilon \cdot \frac{1}{\epsilon^4}. \quad (35)$$

This expression is to be multiplied by the factor $(2\pi)^{-8}$ coming from the two-loop phase-space.

For the evaluation of Eq. (15), we refer to Ref. 6. The leading ϵ^{-4} contribution is

$$W_1 + W_b + W_c + W_d + W_f = 2^8 \left(C_R^2 - \frac{1}{2} C_R C_G \right) (g\pi)^4 (TL)^\epsilon \frac{1}{\epsilon^4} (2\pi)^{-8}. \quad (36)$$

The sum of Eqs. (35) and (36) gives the coefficient of the term C_R^2 which is identical to the contributions from the two-gluon graphs in the Feynman gauge and thus satisfies the exponentiation theorem.

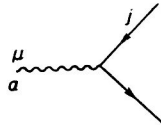
4. Conclusion

As a gauge-invariant object, the Wilson loop represents an ideal test laboratory for different gauges and regularization prescriptions. Usually, lowest-order calculations to g^2 in perturbation theory are in agreement with the Feynman gauge. However, higher-order calculations to g^4 in the coupling constant give surprising results. We have found that the Mandelstam-Leibbrandt prescription for the light-cone gauge is not in agreement with the Feynman gauge for $C_R C_G$ terms⁶⁾. However, C_R^2 terms do satisfy the exponentiation theorem.

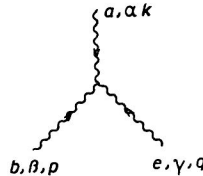
Appendix A

The Feynman rules:

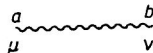
$$ig\gamma_\mu(t_a)_{IJ},$$



$$-igf_{abc} [\delta_{\beta\gamma}(q-p)_\alpha + \delta_{\gamma\alpha}(k-q)_\beta + \delta_{\alpha\beta}(p-k)_\gamma],$$



$$\frac{\delta_{ab}}{k^2 + i\eta} \left\{ \delta_{\mu\nu} - \frac{k_\mu n_\nu + k_\nu n_\mu}{n \cdot k} \right\}.$$



Additional factors:

$(2\pi)^4 i$ for each vertex,

$\frac{1}{(2\pi)^4 i}$ for each propagator.

Appendix B:

Evaluation of the integrals:

$$I = \int_0^\infty dp_+ p_+^{-\epsilon} \cos p_+ T \left[\frac{e^{i\pi\epsilon}}{p_+ + i\omega p_-} - \frac{1}{p_+ - i\omega p_-} \right], \quad (\text{B1})$$

$$I = \int_0^\infty dp_+ p_+^{-1-\epsilon} [\cos p_+ T - 1] (e^{i\pi\epsilon} - 1) + \int_0^\infty dp_+ p_+^{-\epsilon} \left[\frac{e^{i\pi\epsilon}}{p_+ + i\omega p_-} - \frac{1}{p_+ - i\omega p_-} \right]. \quad (\text{B2})$$

We know the first integral in (B2); its contribution is

$$(e^{i\pi\epsilon} - 1) T^\epsilon \Gamma(\epsilon) \cos \frac{\epsilon\pi}{2}.$$

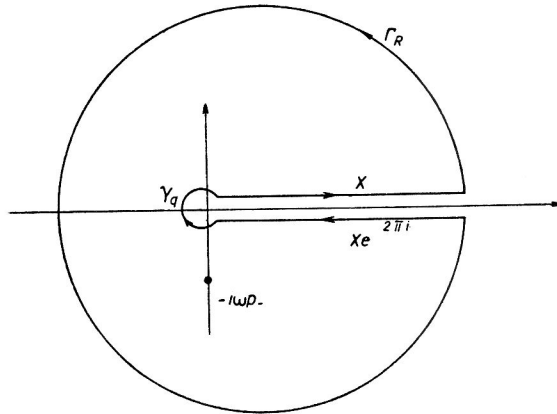


Fig. 4. The path in the complex p_+ plane.

The second integral is performed over the path shown in Fig. 4:

$$\begin{aligned} \int_C \frac{dz}{z^\epsilon (z + i\omega p_-)} &= \int_0^\infty \frac{dx}{x^\epsilon (x + i\omega p_-)} + \int_{\Gamma_R} + \int_{\Gamma_q} - \int_0^\infty \frac{dx}{x^\epsilon e^{2\pi i\epsilon} (x + i\omega p_-)} = \\ &= 2\pi i \operatorname{res} \left(\frac{1}{z^\epsilon (z + i\omega p_-)} \right)_{z = -i\omega p_-}, \end{aligned} \quad (\text{B3})$$

$$\left| \int_{\Gamma_R} \frac{dz}{z^\varepsilon (z + i\omega p_-)} \right| \leq \int_0^{2\pi} \frac{R^\varepsilon |e^{i\varepsilon\varphi}| |Rie^{i\varphi}| d\varphi}{R^\varepsilon |e^{i\varepsilon\varphi}| |Re^{i\varphi} + i\omega p_-|} \leq \int_0^{2\pi} R^{-\varepsilon} d\varphi \xrightarrow[\varepsilon > 0]{R \rightarrow \infty} 0, \quad (B4)$$

$$\left| \int_{\gamma_\rho} \frac{dz}{z^\varepsilon (z + i\omega p_-)} \right| = \left| \int_0^{2\pi} \frac{i\rho e^{i\varphi} d\varphi}{\rho^\varepsilon + e^{i\varepsilon\varphi} (\rho e^{i\varphi} + i\omega p_-)} \right| \leq \int_0^{2\pi} \frac{\rho^{1-\varepsilon} d\varphi}{(\rho^2 + \omega^2 p_-^2)^{1/2}} \xrightarrow[\omega p_- \neq 0]{\rho \rightarrow 0} 0, \quad (B5)$$

$$\text{res } f(z)|_{z=-i\omega p_-} = (-i\omega p_-)^{-\varepsilon}.$$

For $z^{-\varepsilon}$, we choose $e^{-\varepsilon(\ln|z| + i\arg z)}$, $0 < \arg z < 2\pi$. Thus

$$\text{res } f(z) = \exp[-\varepsilon(\ln|\omega p_-| + 3\pi i/2)] = (\omega p_-)^{-\varepsilon} e^{-3\pi i\varepsilon/2}. \quad (B6)$$

We obtain

$$\int_0^\infty \frac{dx}{x^\varepsilon (x + i\omega p_-)} = \frac{2\pi i e^{-3\pi i\varepsilon/2}}{1 - e^{-2\pi i\varepsilon}} (\omega p_-)^{-\varepsilon}. \quad (B7)$$

In the same way,

$$\int_0^\infty \frac{dx}{x^\varepsilon (x - i\omega p_-)} = \frac{2\pi i e^{-i\pi\varepsilon/2}}{1 - e^{-2\pi i\varepsilon}} (\omega p_-)^{-\varepsilon}. \quad (B8)$$

Therefore,

$$\begin{aligned} & \int_0^\infty dp_+ p_+^{-\varepsilon} \left\{ \frac{e^{i\pi\varepsilon}}{p_+ + i\omega p_-} - \frac{1}{p_+ - i\omega p_-} \right\} = \\ & = \frac{2\pi i}{1 - e^{-2\pi i\varepsilon}} (\omega p_-)^{-\varepsilon} \cdot (e^{-i\pi\varepsilon/2} - e^{-i\pi\varepsilon/2}) \equiv 0. \end{aligned} \quad (B9)$$

However, if we had had

$$\begin{aligned} & \int_0^\infty dp_+ p_+^{-\varepsilon} \left\{ \frac{1}{p_+ + i\omega p_-} - \frac{1}{p_+ - i\omega p_-} \right\} = \\ & = \frac{2\pi i}{1 - e^{-2\pi i\varepsilon}} (\omega p_-)^{-\varepsilon} (e^{-3\pi i\varepsilon/2} - e^{-i\pi\varepsilon/2}) = \\ & = \frac{\pi}{\sin \varepsilon\pi} (\omega p_-)^{-\varepsilon} (e^{-i\pi\varepsilon/2} - e^{i\pi\varepsilon/2}) \end{aligned} \quad (B10)$$

and if we had let $\varepsilon \rightarrow 0$ before ω , we should have obtained $(\omega p_-)^{-\varepsilon} \rightarrow 1$ and the well-known result

$$\int_0^\infty dp_+ \left\{ \frac{1}{p_+ + i\omega p_-} - \frac{1}{p_+ - i\omega p_-} \right\} = -i\pi. \quad (B11)$$

References

- 1) S. Caracciolo, G. Curci and P. Menotti, Phys. Lett. **113B** (1982) 311;
- 2) G. Nardelli and R. Soldati, Preprint DFUB 7 (1989) Bologna;
- 3) D. M. Capper, J. J. Dulwich and M. J. Litvak, Nucl. Phys. **B241** (1984) 463;
- 4) S. Mandelstam, Nucl. Phys. **B213** (1984) 149;
- 5) G. Leibbrandt, Phys. Rev. **D29** (1984) 1699;
- 6) A. Andraši and J. C. Taylor, to appear in Nucl. Phys. B (1992); A. Andraši, Fizika **23** (1991) 89.

WILSONOVA PETLJA I EKSPONENTNI TEOREM U UVJETU
SVJETLOSNOG KONUSA

ANĐELKA ANDRAŠI

Institut »Ruđer Boškovič«, 41001 Zagreb

UDK 539.12

Originalni znanstveni rad

Premda Mandelstam-Leibbrandtova preskripcija za uvjet svjetlosnog konusa ne daje $C_R C_G$ članove korektne do reda g^4 , članovi proporcionalni C_R^2 slažu se s onima u Feynmanovom uvjetu. Tako je eksponentni teorem zadovoljen.